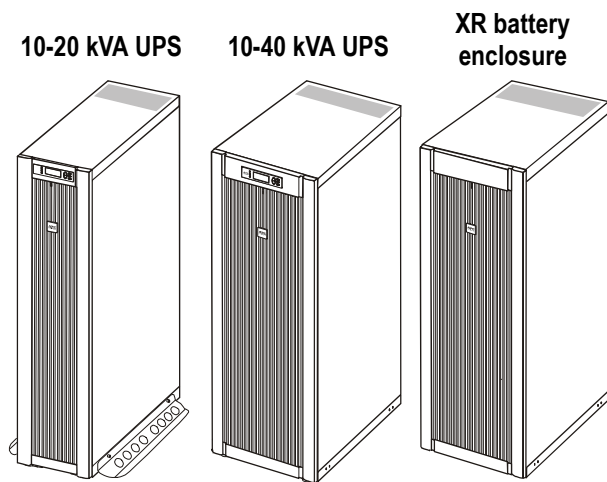




Receiving and Unpacking

Smart-UPS® VT and
XR Battery Enclosure 10–40 kVA
380/400/415 V
208/220 V
200/208 V



IMPORTANT SAFETY INSTRUCTIONS SAVE THESE INSTRUCTIONS



Warning: Indicates a hazard, which, if not avoided could result in personal injury or damage to product or other property.

Shipping Weights and Dimensions

UPS net dimensions

Enclosure Net Dimensions	mm (in)
Height (identical for all UPS enclosure sizes)	1499 (59)
Depth (identical for all UPS enclosure sizes - exclusive of the conduit box)	828 (32.99)
Depth (identical for all UPS enclosure sizes - inclusive of the conduit box)	925 (36.40)
Enclosure width (2 sizes)	356 (14) and 559 (22)

UPS shipping weights

208/220 V	kg	lbs	208/220 V	kg	lbs
SUVTP10KF1B2	335.91	739	SUVTP10KF2B2	427.43	941
SUVTP10KF1B4	354.09	779	SUVTP10KF2B4	445.91	981
SUVTP10KF3B4	537.73	1183	SUVTP10KF4B4	630	1386
SUVTP15KF2B2	428.18	942	SUVTP15KF2B4	445.91	981
SUVTP15KF3B4	537.73	1183	SUVTP15KF4B4	630	1386
SUVTP20KF2B4	475.91	1047	SUVTP20KF3B4	567.73	1247
SUVTP20KF4B4	660	1452			
SUVTP30KF3B4	568.18	1250	SUVTP30KF4B4	660	1452

380/400/415 V	kg	lbs	380/400/415 V	kg	lbs
SUVTP10KH1B2	335.91	739	SUVTP10KH2B2	427.73	941
SUVTP10KH1B4	354.09	779	SUVTP10KH2B4	445.91	981
SUVTP10KH3B4	537.73	1183	SUVTP10KH4B4	630	1386
SUVTP15KH2B2	428.18	942	SUVTP15KH2B4	445.91	981
SUVTP15KH3B4	537.73	1183	SUVTP15KH4B4	630	1386
SUVTP20KH2B2	428.18	942	SUVTP20KH2B4	445.91	981
SUVTP20KH3B4	537.73	1183	SUVTP20KH4B4	630	1386
SUVTP30KH3B4	568.18	1250	SUVTP30KH4B4	660	1452
SUVTP40KH4B4	660	1452			

200/208 V	kg	200 V	kg
SUVTJP10KF1B2	335.91	SUVTJP10KF2B2	427.73
SUVTJP10KF1B4	354.09	SUVTJP10KF2B4	445.91
SUVTJP10KF3B4	537.73	SUVTJP10KF4B4	630
SUVTJP15KF2B2	428.18	SUVTJP15KF2B4	445.91
SUVTJP15KF3B4	537.73	SUVTJP15KF4B4	630
SUVTJP20KF2B4	475.91	SUVTJP20KF3B4	567.73
SUVTJP20KF4B4	660		
SUVTJP30KF3B4	568.18	SUVTJP0KF4B4	660

XR battery enclosure weights

Part Nos.	kg	lbs	Part Nos.	kg	lbs
SUVTXR2B6	430.45	947	SUVTXR6B6S*	822	1807.6
SUVTBXR2B6	430.45	947	SUVTBXR6B6S*	825.4	1810.9
SUVTJBXR2B6	430.45		SUVTJBXR6B6S	828	

* The total weight of the XR battery enclosure including the separate battery package.

Receive

External inspection. When the shipment arrives, inspect the shipping material for any signs of damage or mishandling. Do not attempt to install the system if damage is apparent. If any damage is noted, contact APC and file a damage claim with the shipping agency within 24 hours.

Compare the components of the shipment with the bill of lading. Report any missing items to the carrier and to APC immediately.

Verify that labelled units match the order confirmation.

Move to Installation Site



Use a pallet jack or a forklift for components over 54 kg (120 lb).



Note: After the unit has been removed from the pallet, move it only by rolling it on the casters.





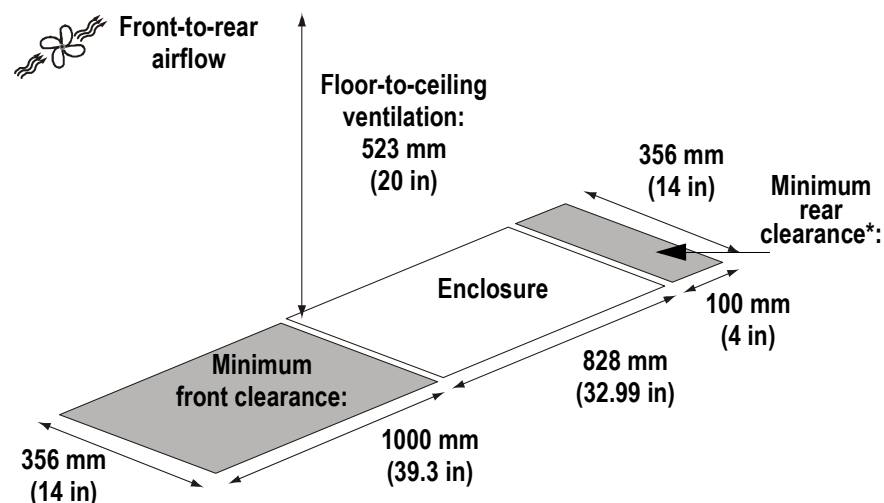
Caution: Ensure that the floor is level. The enclosure cannot be installed on a floor that is not level.

Space considerations

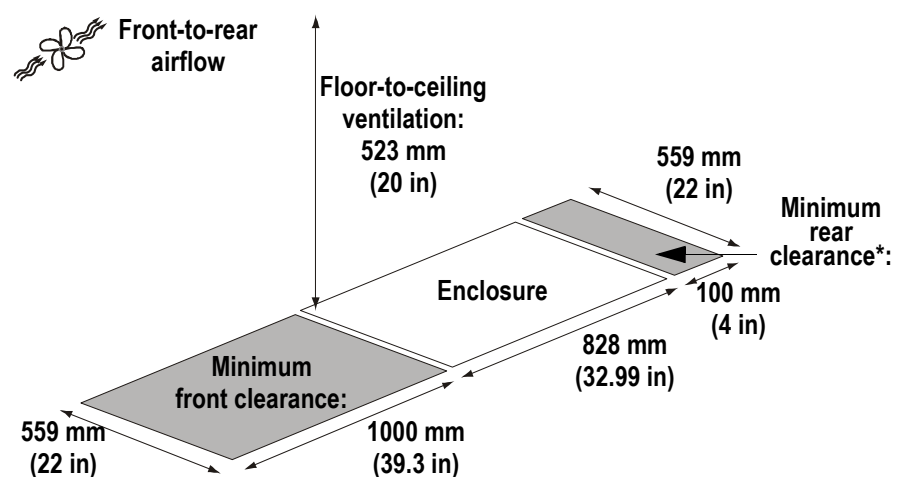


Note: Allow for enough working space behind the enclosure for electrical work to be carried out (e.g. if you want to connect an XR Battery Enclosure at a later stage).

10-20 kVA.



10-40 kVA.



* All physical installations must comply with local standards.

Unpacking

Unpack the enclosures



Caution: Do not unpack the units before the time of the installation.



Note: If the system is not being installed immediately, do not remove the packaging. Store the system in an indoor, temperature-controlled area, free of conductive contaminants.

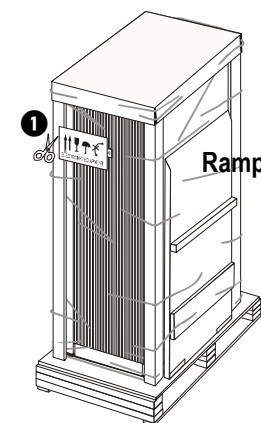


Heavy: There must be two people to roll the enclosure from the pallet.

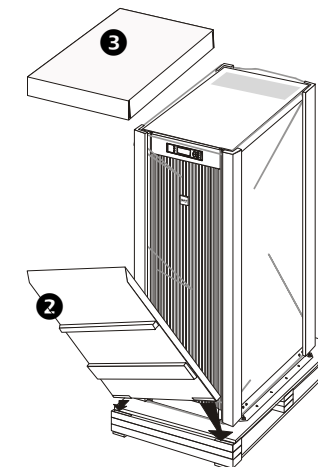


Note: Save four bolts for attaching the stabilizing brackets to the 352 mm (13.85 in) enclosure. See "Stabilizing Brackets".

Land packaging.

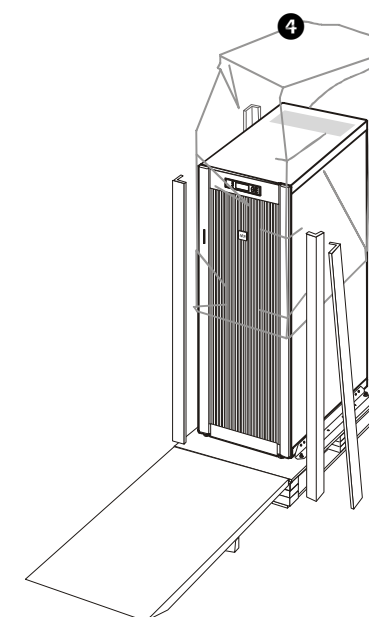


1 Cut carefully along the edges to remove the plastic and to free the ramp.

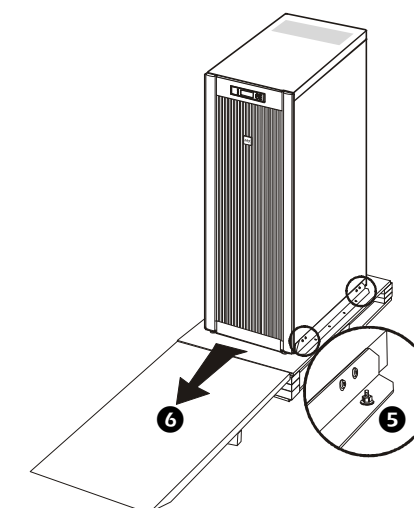


2 Place the ramp by aligning the velcro strips on the ramp with the velcro strips on the front edge of the pallet.

3 Remove the cardboard cover.



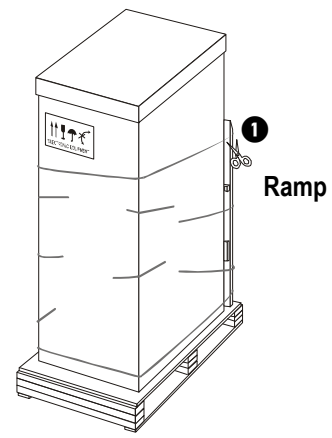
4 Remove the corner protection and the plastic bag.



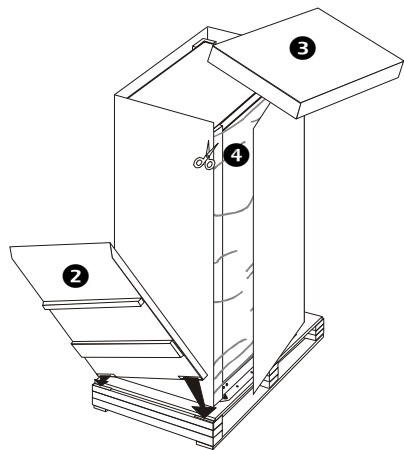
5 Remove the bolts from the brackets attaching the enclosure to the pallet and save the brackets for floor anchoring, if required.

6 Roll the unit off the pallet.

Sea packaging.



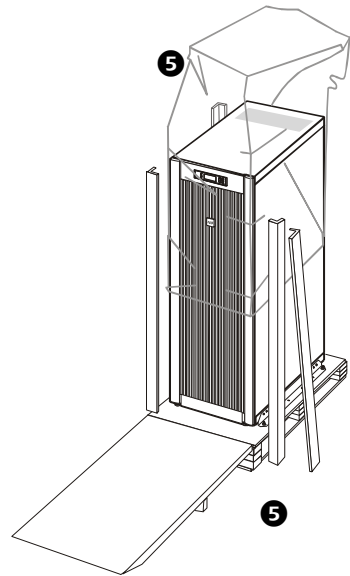
1 Cut carefully along the edges to remove the plastic and to free the ramp.



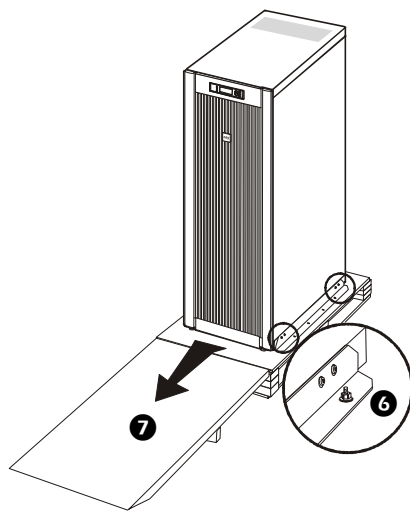
2 Place the ramp by aligning the velcro strips on the ramp with the velcro strips on the front edge of the pallet.

3 Remove the cardboard cover.

4 Cut along the edges of the cardboard cover and remove it.



5 Remove the corner protection and the plastic bag.



6 Remove the bolts from the brackets attaching the enclosure to the pallet and save the brackets for floor anchoring, if required.

7 Roll the unit off the pallet.

Stabilizing Brackets

Attach stabilizing brackets

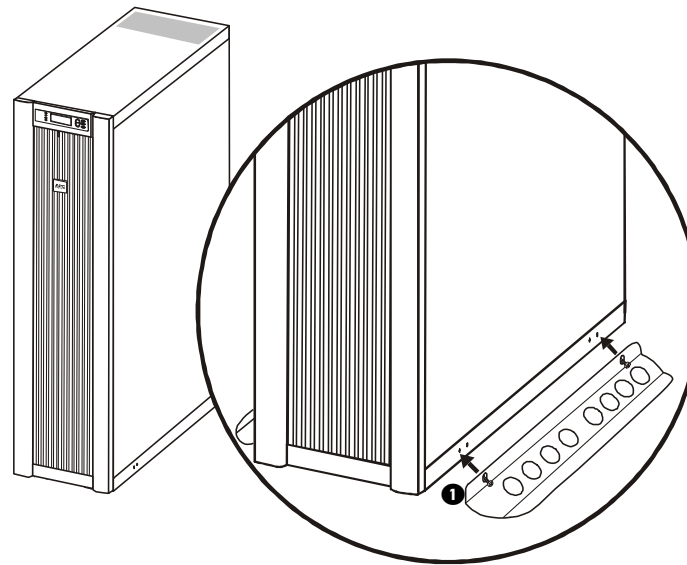


Caution: After unpacking always install the stabilizing bracket (shipped with the UPS) to the 352 mm (13.85 in) enclosure.



Note: This equipment is easily tipped. Use extreme caution when unpacking and moving the equipment to its final location.

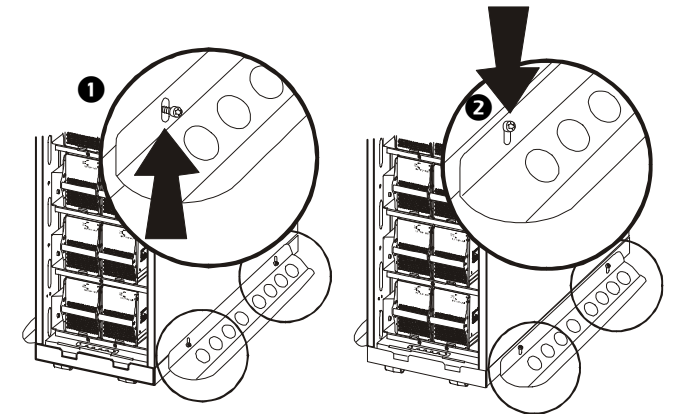
1 Use the screws (which attached the transport brackets to the UPS) to fasten the stabilizing bracket to the UPS.






Move the UPS with stabilizing brackets

1 Loosen the screws, push the brackets upwards and tighten the screws.

2 Push the brackets downwards when the UPS is at its final position and tighten the screws.

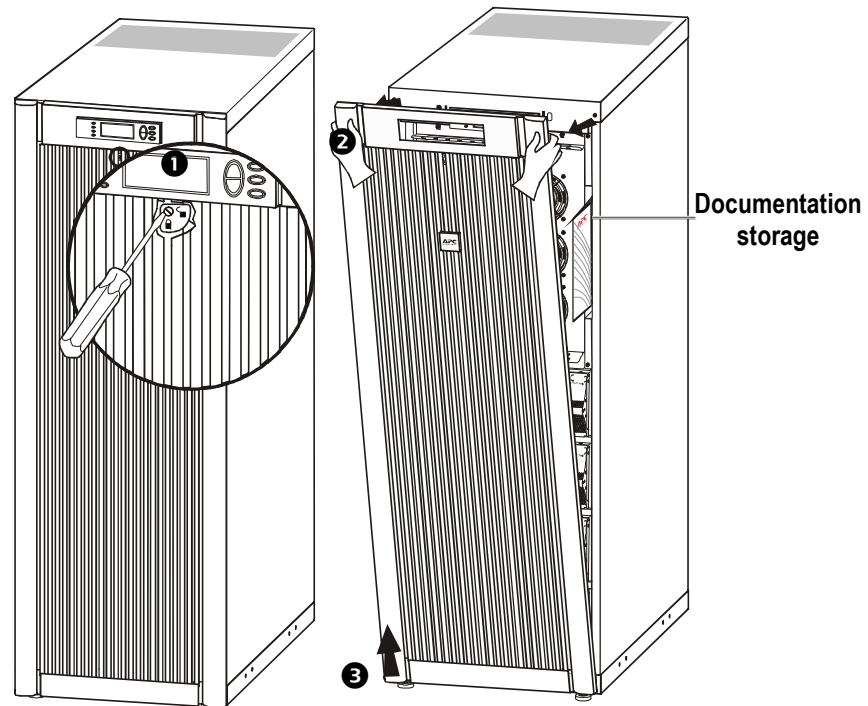


Storage Conditions

		
Operating temperature: 0°C to 40°C/32°F to 104°F	Relative Humidity: 0-95% Non-condensing	Storage place free from vibration, dust, direct sunlight, and moisture.

Documentation Storage

- 1 Remove the front panel by turning the screw to the right to the unlocked position.
- 2 Pull the upper part of the front panel free of the UPS.
- 3 Lift the front panel free of the two slots at the bottom of the enclosure



Contact Information

For local country-specific centers: go to www.apc.com/support/contact.
Web Support: support@apc.com.